

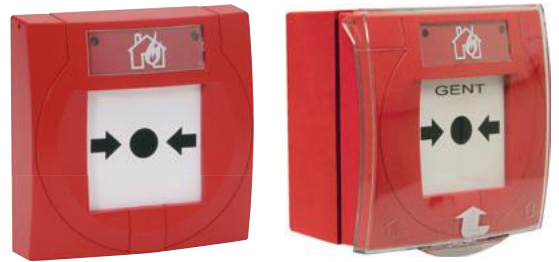
## Analogue Addressable Manual Call Points

Every manual call point is continuously monitored ensuring a trigger is responded to in less than one second system wide.

The range includes options for glass and resettable elements and lift-up protective covers.

A keyswitch version is also available for areas where tampering or vandalism is expected.

An Environmentally Protected (EP) version with Ingress protection rating IP67 is also available, complete with resettable element, protective cover and backbox.



### **Description**

Manual call points for the Vigilon and Nano system are easy to install and can be mounted on standard installation back boxes or bespoke red back boxes for surface mounting.

## KEY FEATURES

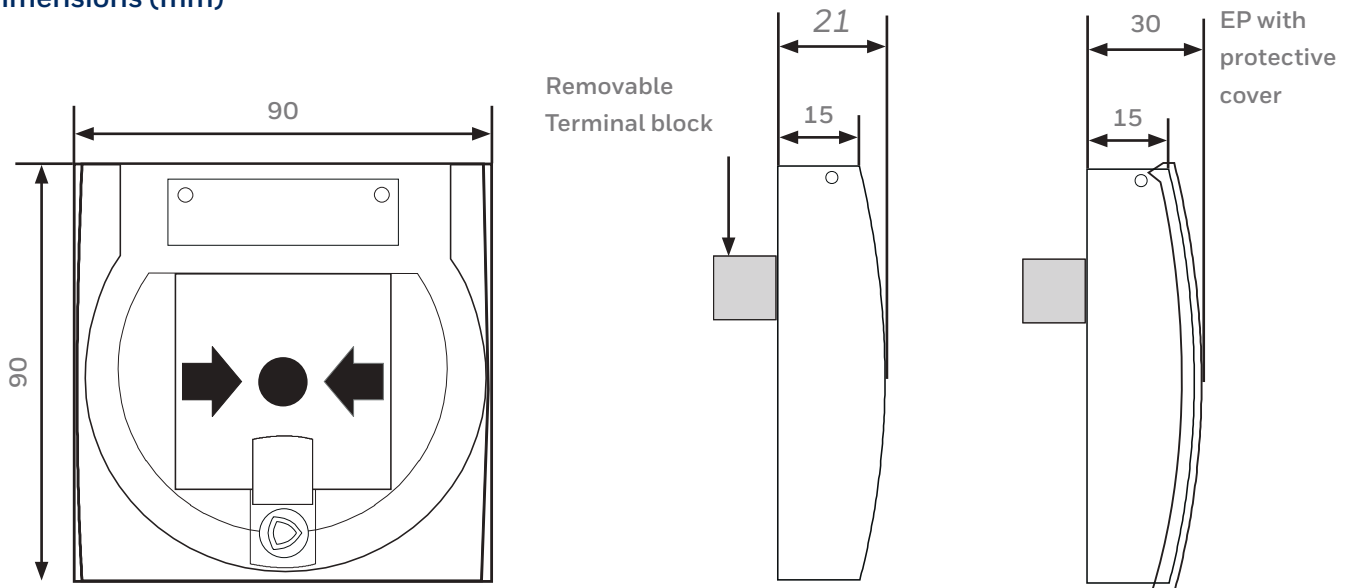
- Resettable or break glass
- Lift up protective covers
- Keyswitch
- Weatherproof version (IP67) suitable for external areas
- Up to 200 per loop
- Integral short-circuit isolator
- Surface or Semi Flush options

# Analogue Addressable Manual Call Points Technical Specifications

ORDER CODES	
MANUAL CALL POINT (GLASS)	S4-34800
MANUAL CALL POINT (GLASS) WITH PROTECTIVE COVER	S4-34842
MANUAL CALL POINT (EP IP67)	S4-34805-EP
MANUAL CALL POINT WITH RESETTABLE ELEMENT	S4-34805
MANUAL CALL POINT WITH RESETTABLE ELEMENT AND PROTECTIVE COVER	S4-34845
RESETTABLE ELEMENT FOR MCP (PACK OF 10)	S4-34890
GLASS FOR MCP (PACK OF 10)	S4-34891
PROTECTIVE COVER FOR MCP (PACK OF 20)	S4-34892
SURFACE BACK BOX FOR MCP (RED PLASTIC) (PACK OF 10)	S4-34895
MCP WITH KEY SWITCH	S4-34807

SPECIFICATION	
MAX QUANTITY PER LOOP	200
OPERATING TEMPERATURE	-25°C to 70°C
INGRESS PROTECTION	Standard IP43, EP version IP67
RELEVANT STANDARD	EN54 part 11 & 17
APPROX WEIGHT	0.11Kg
DEVICE LOAD FACTOR	1

## Dimensions (mm)



## For more information

[www.gent.co.uk](http://www.gent.co.uk)

## Honeywell Gent

140 Waterside Road  
Hamilton Industrial Park,  
Leicester, LE5 1TN  
Telephone: 0116 246 2042  
E-mail: [gentenquiry@honeywell.com](mailto:gentenquiry@honeywell.com)

Content subject to change  
without notice.

GEN128 | 01/2017  
© 2017 Honeywell International Inc.

**fescom**  
engineering co. ltd.

**Honeywell**  
GENT