

# TVP-WM-CM

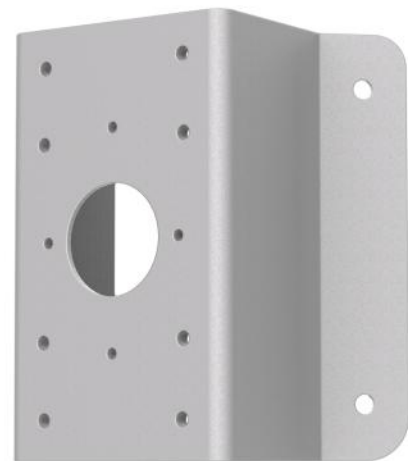
## TruVision PTZ dome corner mount adapter

### Overview

---

The TVP-WM-CM allows for a more efficient installation for corner mount PTZ installations. Such a corner mount installation allows a single PTZ camera to cover a wider field of view compared to a standard wall mount bracket.

The TVP-WM-CM can be combined with the TVP-WMB or GEA-102 TruVision PTZ brackets.



### Details

---

- TruVision PTZ corner mount adapter
- Compatible with TVP-WMB and GEA-102
- Fits 90° corners

# TVP-WM-CM

## TruVision PTZ dome corner mount adapter

### Technical specifications

---

#### General

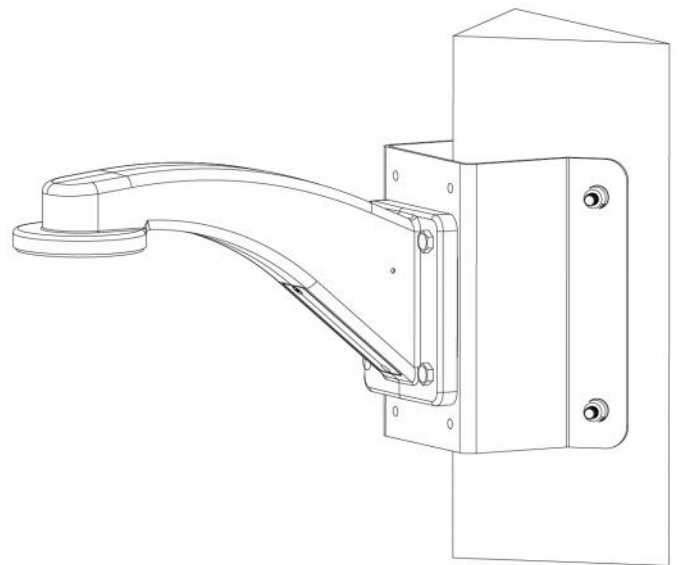
|                       |                               |
|-----------------------|-------------------------------|
| Bracket type          | Camera                        |
| Camera support type   | PTZ camera, TruVision bracket |
| Bracket mounting part | Mounting adapter              |
| Mount type            | Corner mount                  |

#### Physical

|                     |                        |
|---------------------|------------------------|
| Physical dimensions | 194 × 176 × 109 mm     |
|                     | 7.63 × 6.93 × 4.29 in. |
| Net weight          | 1548 g                 |
|                     | 3.41 lbs.              |

#### Supported brackets

|                     |                  |
|---------------------|------------------|
| Wall mount brackets | TVP-WMB, GEA-102 |
|---------------------|------------------|



As a company of innovation, UTC Fire & Security reserves the right to change product specifications without notice. For the latest product specifications, visit UTC Fire & Security online or contact your sales representative.

2 May 2019 - 12:33