

TVP-WMB

TruVision PTZ dome wall mount bracket

Overview

The TVP-WMB is a wall mount bracket that can be used in combination with various TruVision PTZs. It can be combined with corner or pole mount accessories to facilitate various installation types.



Details

- Wall mount bracket
- Compatible with corner mount and pole mount accessories
- Safety lanyard included for secure PTZ installation
- Cable management within the bracket

TVP-WMB

TruVision PTZ dome wall mount bracket

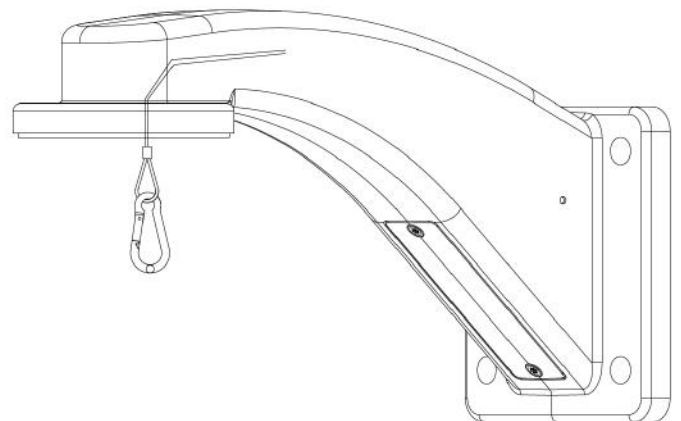
Technical specifications

General

Bracket type	Camera
Camera support type	PTZ camera
Bracket mounting part	Mounting bracket
Mount type	Wall mount
Cable management	Yes
Cable Management	Yes

Physical

Physical dimensions	128 × 105 × 303.45 mm 5.04 × 4.13 × 11.95 in.
Net weight	945 g 2.08 lbs.



As a company of innovation, UTC Fire & Security reserves the right to change product specifications without notice. For the latest product specifications, visit UTC Fire & Security online or contact your sales representative.

30 April 2019 - 12:29